

# *YOKOHAMA SMiRT 27* *2024*

**27<sup>th</sup> International Conference on Structural Mechanics in  
Reactor Technology**

*March 3-8, 2024, Yokohama, Japan*

## **SPONSORSHIP PROSPECTUS**

As of June 08, 2023

# WELCOME MESSAGE

The SMiRT 27 in Yokohama Japan will discuss what is "Next Generation Structural Mechanics in Reactor Technology" on the bases of lessons learned from the Fukushima Daiichi Nuclear power plant accident. It will be co-hosted by JASMiRT and Atomic Energy Society of Japan. Plenary lectures, special sessions, tutorials, and workshops will be organized to discuss this topic in addition to the regular sessions. The SMiRT 27 aims to bring together leaders, managers, engineers, plant operators, regulators and academia working in the field of nuclear technology to make greater contribution for achievement of higher reactor performance. We hope that various efforts to improve worldwide nuclear safety, long-term operation in consideration of aging issues, communication between regulatory authorities and industries, standardization of reactor-independent codes/standards, etc. will be central issues in SMiRT 27, to establish "Next Generation Structural Mechanics in Reactor Technology."

SMiRT 27 offers various sponsorship packages and give all interested companies the opportunity to present themselves and support the conference.  
Your engagement would be highly appreciated.

高田毅士

Dr. Tsuyoshi Takada  
Conference Chair

# OVERVIEW OF SMiRT 27

- DATE: March 3-8, 2024
- VENUE: PACIFICO Yokohama, Japan

The venue, PACIFICO Yokohama is the largest and No.1 All-in-One convention complex in Japan equipped with the functions and a directly connected hotel, InterContinental Yokohama Grand to meet every requirement of SMiRT 27.

It serves as a central facility in the convention area with over 8,100 hotel rooms, large shopping malls with a variety of entertainment, and dining options within walking distance.

PACIFICO Yokohama has well proven track record, such as hosting APEC Leaders Meeting in 2010 and welcoming over 10,000 delegates from around the world.



## ■ Program Overview

	March 3rd Sun	March 4th Mon	March 5th Tue	March 6th Wed	March 7th Thu	March 8th Fri
Morning		<b>Opening / Technical Session</b>	<b>Technical Session</b>	<b>Technical Session</b>	<b>Technical Session</b>	<b>Technical Session / Closing</b>
Afternoon		<b>Technical Session</b>	<b>Technical Session</b>	<b>Technical Session</b>	<b>Technical Session</b>	
Evening	<b>Welcome Reception</b>			<b>General Assembly</b>	<b>Banquet</b>	
Notes			<b>Technical Tour</b>	<b>Technical Tour</b>	<b>Technical Tour</b>	

# SPONSORSHIP PACKAGES AT A GLANCE

■ SMiRT 27 offers the following sponsorship packages:

Category	Platinum	Gold	Silver	Bronze
Fee (in JPY, tax excluded)	¥2,000,000	¥1,500,000	¥1,000,000	¥750,000
Exhibition Booth	1*	1*	1 (small)	-
Free conference pass	3	2	1	-
Insert of promotion material in the conference bag	○	-	-	-
Advertising in the conference program book	1 page	1/2 page	1/2 page	-
Company logo on sponsor page in the program book	○	○	○	○
Company logo on the website	○	○	○	○
Company logo on Sponsor signboard	○	○	○	○
Company logo on the screen during breaks	○	○	○	○
Mentioning at the Opening Ceremony	○	○	○	○

\*You may choose between standard and small booth.

There will not be any deductions from the sponsorship fee in case you do not opt for an exhibition booth.

## Exhibition Booth image:

### <Standard Booth>

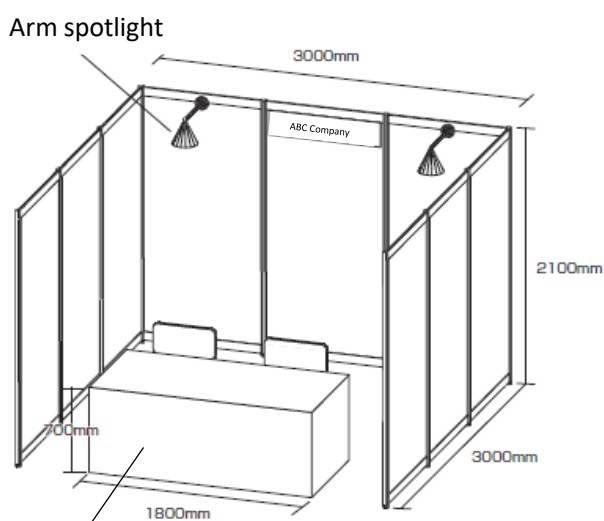


Table  
(with white cloth; size:  
W1800mmxD900xH700mm)

### <Small Booth>

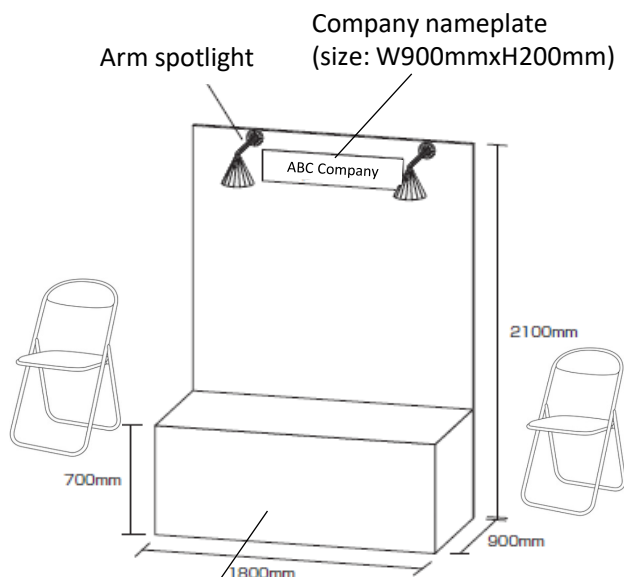


Table  
(with white cloth; size:  
W1800mmxD900xH700mm)

Exhibition Area: PACIFICO Yokohama, 3<sup>rd</sup> Floor (Conference Center), Foyer

# SPONSORSHIP PACKAGES

## Platinum Sponsor

**2,000,000 JPY**

\*tax excluded

- 1 Exhibition Booth (You may select between Standard and Small booth; Standard booth: W3000mmx D3000mmx H2100mm/ Small booth: W1800mm x D900mm x H2100mm)  
\*1 Booth includes 1 company nameplate, 1 table and 2 arm spotlights. Additional electrical services and equipment have to be paid separately. Booth allocation will be decided by the conference organizers.
- Free conference pass: 3 conference passes which allow entry to all oral sessions, coffee break, exhibition area and banquet will be provided.
- Insert of promotion material in the conference bag: You will be requested to prepare the promotion material by yourself and send it to the designated address prior to the conference. The Secretariat will insert the material with other related goods in the conference bag.
- Advertising in the conference program book: Advertising data (1 page, full color) is requested to be prepared by the Sponsor. Specifications about the data will be provided later.
- Company logo on sponsor page in the program book: Logo recognition as a Platinum Sponsor in the conference program book
- Company logo on the website: Logo recognition as a Platinum Sponsor on the official SMiRT 27 conference website
- Company logo on Sponsor signboard: Logo recognition as a Platinum Sponsor on the Sponsor signboard at the conference venue
- Company logo on the screen during breaks: Logo recognition as a Platinum Sponsor on the slides to be shown on screen in session rooms during breaks
- Mentioning of Sponsor name at the Opening Ceremony

## Gold Sponsor

**1,500,000 JPY**

\*tax excluded

- 1 Exhibition Booth (You may select between Standard and Small booth; Standard booth: W3000mmx D3000mmx H2100mm/ Small booth: W1800mm x D900mm x H2100mm)  
\*1 Booth includes 1 company nameplate, 1 table, 2 chairs and 2 arm spotlights. Additional electrical services and equipment have to be paid separately. Booth allocation will be decided by the conference organizers.
- Free conference pass: 2 conference passes which allow entry to all oral sessions, coffee break, exhibition area and banquet will be provided.
- Advertising in the conference program book: Advertising data (a half page, full color) is requested to be prepared by the Sponsor. Specifications about the data will be provided later.
- Company logo on sponsor page in the program book: Logo recognition as a Gold Sponsor in the conference program book
- Company logo on the website: Logo recognition as a Gold Sponsor on the official SMiRT 27 conference website
- Company logo on Sponsor signboard: Logo recognition as a Gold Sponsor on the Sponsor signboard at the conference venue
- Company logo on the screen during breaks: Logo recognition as a Gold Sponsor on the slides to be shown on screen in session rooms during breaks
- Mentioning of Sponsor name at the Opening Ceremony

# SPONSORSHIP PACKAGES

## Silver Sponsor

**1,000,000 JPY**

\*tax excluded

- 1 small Exhibition Booth (Booth size: W1800mm x D900mm x H2100mm)  
\*1 Booth includes 1 company nameplate, 1 table, 2 chairs and 2 arm spotlights. Additional electrical services and equipment have to be paid separately. Booth allocation will be decided by the conference organizers.
- Free conference pass: 1 conference pass which allow entry to all oral sessions, coffee break, exhibition area and banquet will be provided.
- Advertising in the conference program book: Advertising data (a half page, full color) is requested to be prepared by the Sponsor. Specifications about the data will be provided later.
- Company logo on sponsor page in the program book: Logo recognition as a Silver Sponsor in the conference program book
- Company logo on the website: Logo recognition as a Silver Sponsor on the official SMiRT 27 conference website
- Company logo on Sponsor signboard: Logo recognition as a Silver Sponsor on the Sponsor signboard at the conference venue
- Company logo on the screen during breaks: Logo recognition as a Silver Sponsor on the slides to be shown on screen in session rooms during breaks
- Mentioning of Sponsor name at the Opening Ceremony

## Bronze Sponsor

**750,000 JPY**

\*tax excluded

- Company logo on sponsor page in the program book: Logo recognition as a Bronze Sponsor in the conference program book
- Company logo on the website: Logo recognition as a Bronze Sponsor on the official SMiRT 27 conference website
- Company logo on Sponsor signboard: Logo recognition as a Bronze Sponsor on the Sponsor signboard at the conference venue
- Company logo on the screen during breaks: Logo recognition as a Bronze Sponsor on the slides to be shown on screen in session rooms during breaks
- Mentioning of Sponsor name at the Opening Ceremony

# PAYMENT& APPLICATION

## **How to apply:**

Please fill in the Sponsorship application form of the following page and send it to the Sponsorship & Exhibition Secretariat of SMiRT 27 by e-mail.

E-mail: [smirt27-sec@convention.co.jp](mailto:smirt27-sec@convention.co.jp)

**Application Deadline: September 29, 2023, 17:00 (JST)**

## **Payment Method:**

An invoice will be issued from the Secretariat within 5 business days after receipt of the application form. All payment must be made in Japanese Yen.

\*All bank transfer charges (including intermediary bank and beneficiary bank's charges) must be covered by the remitter.

In case the transfer charges have been deducted upon receipt of the sponsorship fee, you will be asked to remit the balance.

## **Cancellation Policy:**

Cancellation or changes to your original application must be submitted in writing to the conference secretariat.

For cancellation made:

-After issuing the invoice until August 2, 2023: cancellation fee equal to 30% of the sponsorship fee

-After August 3, 2023: cancellation fee equal to 50% of the sponsorship fee

-After October 1, 2023: cancellation fee equal to 100% of the sponsorship fee

\*Remittance charge shall be deducted from the refund.

## **Contact:**

Sponsorship & Exhibition Secretariat of SMiRT 27

(c/o Japan Convention Services, Inc.)

E-mail: [smirt27-sec@convention.co.jp](mailto:smirt27-sec@convention.co.jp)

# APPLICATION FORM

## Sponsorship Application Form

Application Date: ( )

Company/ Organization *1		
Person in charge	Name	
	Address	
	Phone	
	E-mail address	
Sponsorship Package *2	<input type="checkbox"/> Platinum Sponsor	2,000,000 JPY
	<input type="checkbox"/> Gold Sponsor	1,500,000 JPY
	<input type="checkbox"/> Silver Sponsor	1,000,000 JPY
	<input type="checkbox"/> Bronze Sponsor	750,000 JPY
Inquiries/requests		

\*1... Please enter the official name of your company.

\*2... Tax excluded. The invoice will be issued with consumption tax.

### Cancellation Policy:

Cancellation or changes to your original application must be submitted in writing to the conference secretariat.

For cancellation made:

-After issuing the invoice until August 2, 2023: cancellation fee equal to 30% of the sponsorship fee

-After August 3, 2023: cancellation fee equal to 50% of the sponsorship fee

-After October 1, 2023: cancellation fee equal to 100% of the sponsorship fee

\*Remittance charge shall be deducted from the refund.

By signing and submitting this application form, the Secretariat takes is as granted that you have read and agreed to the Cancellation Policy and apply to the Sponsorship Package for the SMiRT 27 conference.

Signature \_\_\_\_\_

Date \_\_\_\_\_

**Please submit this application form to:**

Sponsorship & Exhibition Secretariat of SMiRT 27

E-mail: smirt27-sec@convention.co.jp

**Application Deadline: September 29, 2023, 17:00 (JST)**